

Masport®

EUROPEAN ROTARY MOWERS

SERIES 18 - OPC

Part Number
478967

Model
350 ST SP CO

Engine
B&S Series 500E

Month and Year of First Manufacture - January 2014

Starting Serial Number - 7795360



Issue C.0
ECN 03057
Oct 2015 PB
REF # 778967S

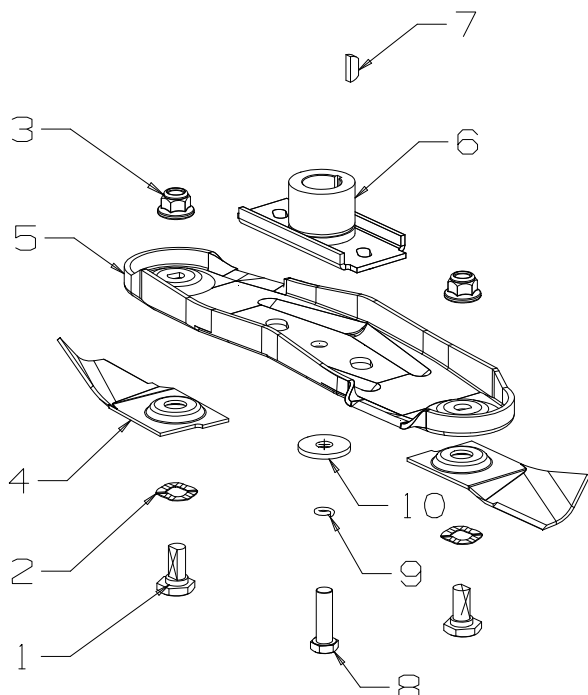


350ST SP 2'n1
Powered by
B&S Series 500E

Masport

Issue C.0
ECN 03057
Oct 2015 PB
REF # 778967S

460mm Quick Cut Blade Assembly



Item No	Part No	Description	Qty Req'd
1	581707	Bolt-Blade	2
2	580693	Washer, Wavy 13.4 x 24.2	2
3	503672	Nut, Flange Nyloc M10	2
4	583049	Blade, Quick Cut - 460mm	2
5	980653	Carrier- Blade, Quick Cut	1
6	014173	Driver Assy-Blade - 7/8"	1
7	500636	Key, Woodruff - 5/8"x5/32"x1/4"	1
8	503543	Bolt; Hex NF 3/8" x 1.5 NYG8	1
9	500204	Washer, Spring 3/8"	1
10	503667	Washer, Flat 9.75 x 30 x 3.0	1

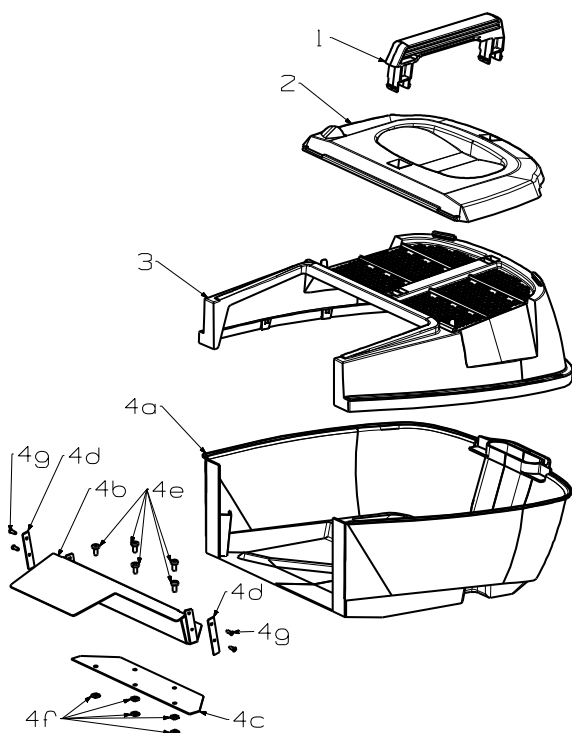
460mm Blade & Fasteners (2 per)

- 783690 Bolt Set, Inc Items 2 x 1, 2, 3
- 783049 Blade & Bolt Pack, Inc Items 2 x 1, 2, 3, 4

An alternative fastening may be used in this assembly

- 8 581610 Screw, Set NF 3/8 x 1.25 NYG8 1

767058 Catcher Assembly Complete 18" - Plastic (Includes items 1 ~ 4g)



Item No	Part No	Description	Qty Req'd
1	580673	Catcher- Handle	1
2	580674	Catcher- Lid 18"	1
3	579117	Catcher-Top 18"	1
4a	567057	Catcher-Bottom, 18" Grey	1
4b	573133	Lip-Catcher, 460 ST SP	1
4c	582222	Lip-Catcher, Backing Plate	1
4d	982223	Plate-Rivet, Catcher Backing	2
4e	503591	Screw, Pan M6x12 Poz	5
4f	502098	Nut, M6 Squ Pressed	5
4g	501303	Rivet- Pop 4.0x7.9	4

When ordering PLEASE QUOTE PART NUMBER & Description, NOT Illustration No.
Determine right or left hand side from standing in operating position (standing at handle).

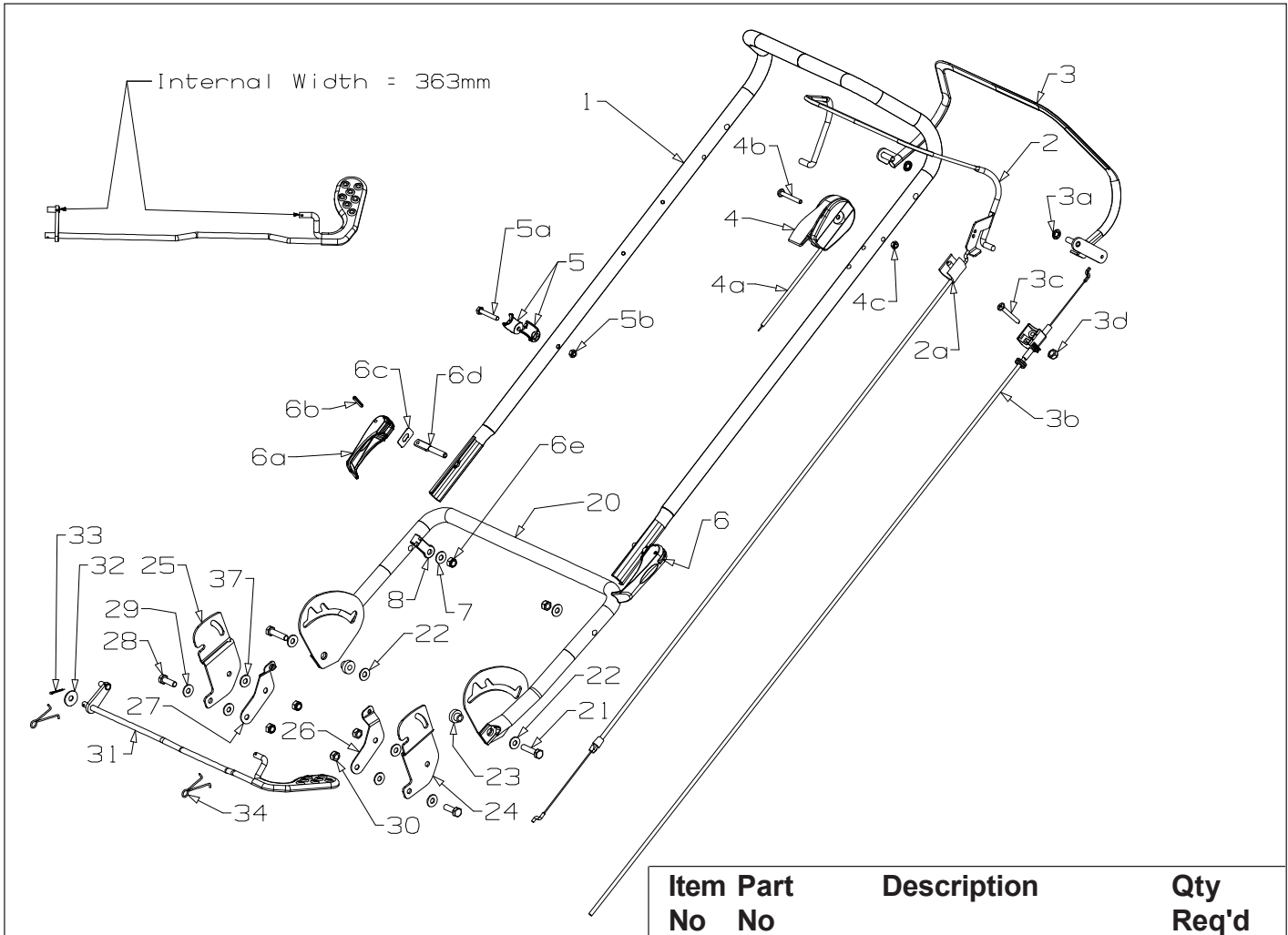
Bold Text = Assemblies, **Bulleted Text** * = Items included in the Assemblies & may not be available as a spares item.



350ST SP 2'n1
Powered by
B&S Series 500E

Masport

Issue C.0
ECN 03057
Oct 2015 PB
REF # 778967S



Item No	Part No	Description	Qty Req'd
1	781265	Handle-Upper, Upturned - Black	1
2	981740	Bail Arm Assy, OPC	1
2a	581656	Cable Engine OPC Push	1
3	982161	Bail Arm Assy, SP	1
3a	501365	Clip Starlock 5/16"	2
3b	567410	Cable Clutch Thumb wheel	1
3c	503604	Screw, Pan M6 x 45	1
3d	501764	Nut, Nyloc M6	1
4/4a	583458	Throttle Ctrl & Cable, Wescon	1
4b	503604	*Screw, Pan M6 x 45	1
4c	501764	*Nut, Nyloc M6	1
5	703856	Comfort Start Kit	1
5a	503794	*Screw, Set M6x40 Hex	1
5b	501764	*Nut, M6 Nylock hex	1
6	779755	Cam Lock Assy (1 per)	2
6a	582419	*Lever- Handle, Locking	1
6b	503369	*Pin, Tension 5.0x25	1
6c	016777*	Washer, Slipper	1
6d	583041	*Stud- Handle Lock, 61mm	1
6e	501793	*Nut, M8 Hex Nyloc 8 Thck	1
7	501606	Washer, Flt 8x19x1.6	2
8	581527	Retainer-Control Cable, Handle	1
20	967594	Handle Assy- Lower, LFAJ18"ST	1
21	501716	Screw, Set M8 x 35 Hex	2
22	501606	Washer, Flt 8x19x1.6	3
23	567382	Spacer- Handle, Lower Lift	2
24	567369	Plate- Mount, Handle LH	1
25	567368	Plate- Mount, Handle RH	1
26	579297	Bracket- Flap, LH	1
27	579298	Bracket- Flap, RH	1
28	501597	Screw, Set M8 x 20 Hex	2
29	501606	Washer, Flt 8x19x1.6	2
30	501793	Nut, M8 Hex Nyloc 8 Thck	4
31	967542	Rod Assy Adj- Lower Lift 18" STL	1
32	502149	Washer- Dished	2
33	501056	Pin, Cotter 2.3dia x 16	1
34	567381	Spring- Ergo Lift	2
37	501606	Washer, Flt 8x19x1.6	4
Spares Option			
6	782419	Cam Lock Assy - MSV (2 per, packed)	1

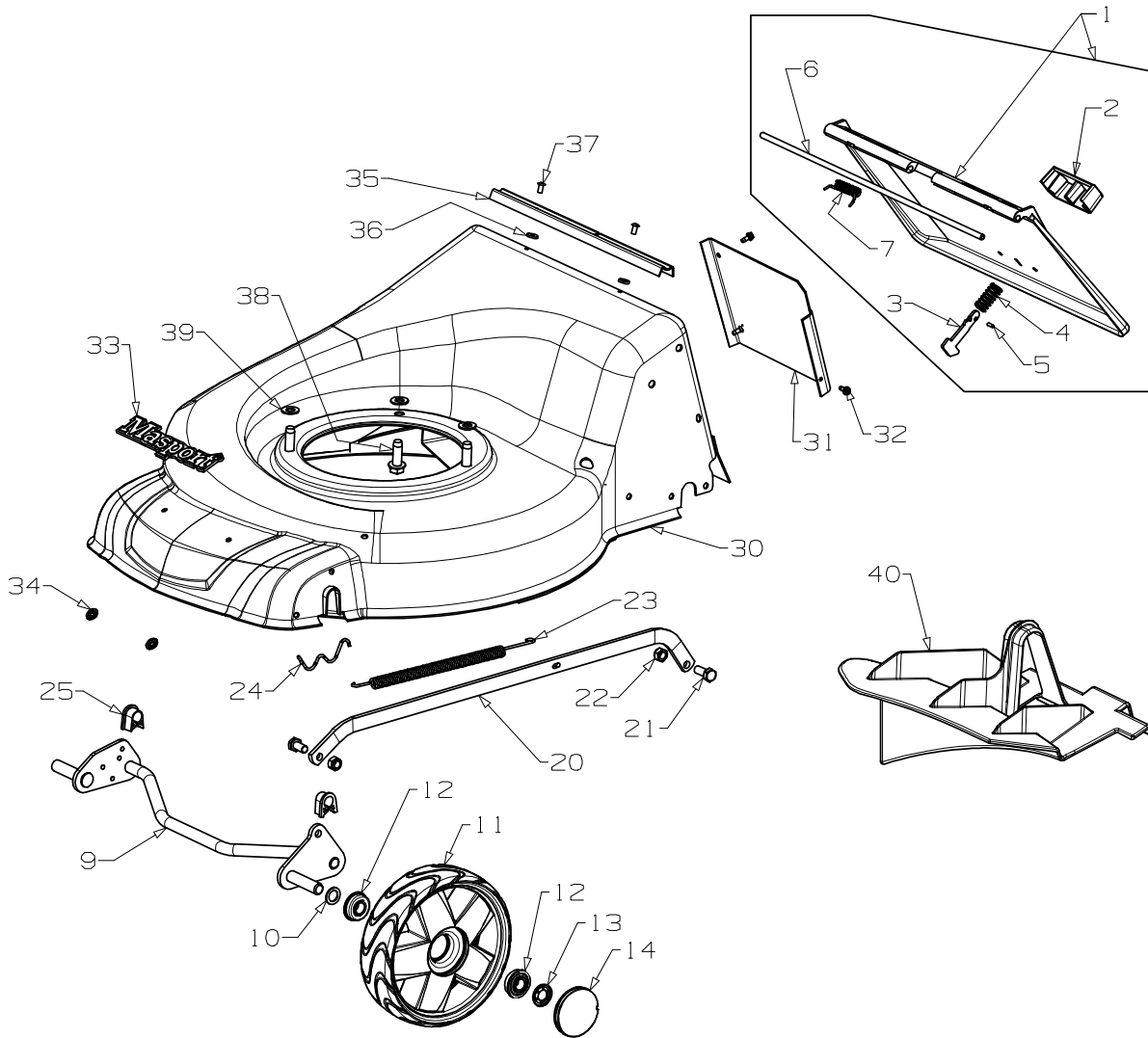
When ordering PLEASE QUOTE PART NUMBER & Description, NOT Illustration No.
Determine right or left hand side from standing in operating position (standing at handle).
Bold Text = Assemblies, Bulleted Text * = Items included in the Assemblies & may not be available as a spares item.



350ST SP 2-in-1
Powered by
B&S Series 500E

Masport

Issue C.0
ECN 03057
Oct 2015 PB
REF # 778967S



Item No	Part No	Description	Qty Req'd	Item No	Part No	Description	Qty Req'd
1	782200	Flap Assy- 18" Black	1	23	581463	Spring-Counter Balance	1
2	580602	*Handle- Flap	1	24	529674	Retainer-Axle, Front "W"	2
3	981650	*Latch- Flap, Barbed	1	25	580030	Bush-Pivot, Axle	2
4	581106	*Spring-Flap Latch	1	30	767596	Housing- Stl 18" XF SP TTNM	1
5	502019	*Pin, Tension 3.0 x 8	1	31	573131	*Tunnel- Gbox Cover 18" ST	1
6	764363	*Wire- Flap Pivot 360 x 6	1	32	503630	*Screw, S/T 10 x 0.4	3
7	581349	*Spring- Flap 18" Stl	1	33	581240	Nameplate, MASPORT	1
9	567577	Axle Assy- Front, 18" SP	1	34	503150	Clip-Starlock, 5 Dia	2
10	503301	Washer; Flat 1/2 x 3/4 x 18G	1	35	583151	Seal- Flap, Dust Plastic	1
11	579196	Wheel Assy-175mm Spoked, Slvr (Includes 2 x 551212 per wheel)	2	36	502170	Washer, Nylon 5 x 12 x 2.0	2
12	551212	Bearing- Wheel, Ball Type	4	37	581369	Rivet- Pop 4.0 x 3.2 73SS5-2	2
13	503236	Clip- Starlock, 1/2"	2	38	580453	Screw, S/T 3/ 8" x 1- 1/8" UNC	3
14	579198	Hub Cap- Button Spoked, Silver	2	39	501704	Washer, Flat 10 x 19 x 1.6	3
20	567574	Rod-Connecting, 18" SP	1	40	573278	Insert- Mulching, 18" ST SP	1
21	501597	Screw, Set M8 x 20 Hex	2				
22	501793	Nut M8 Hex Nylock	2				

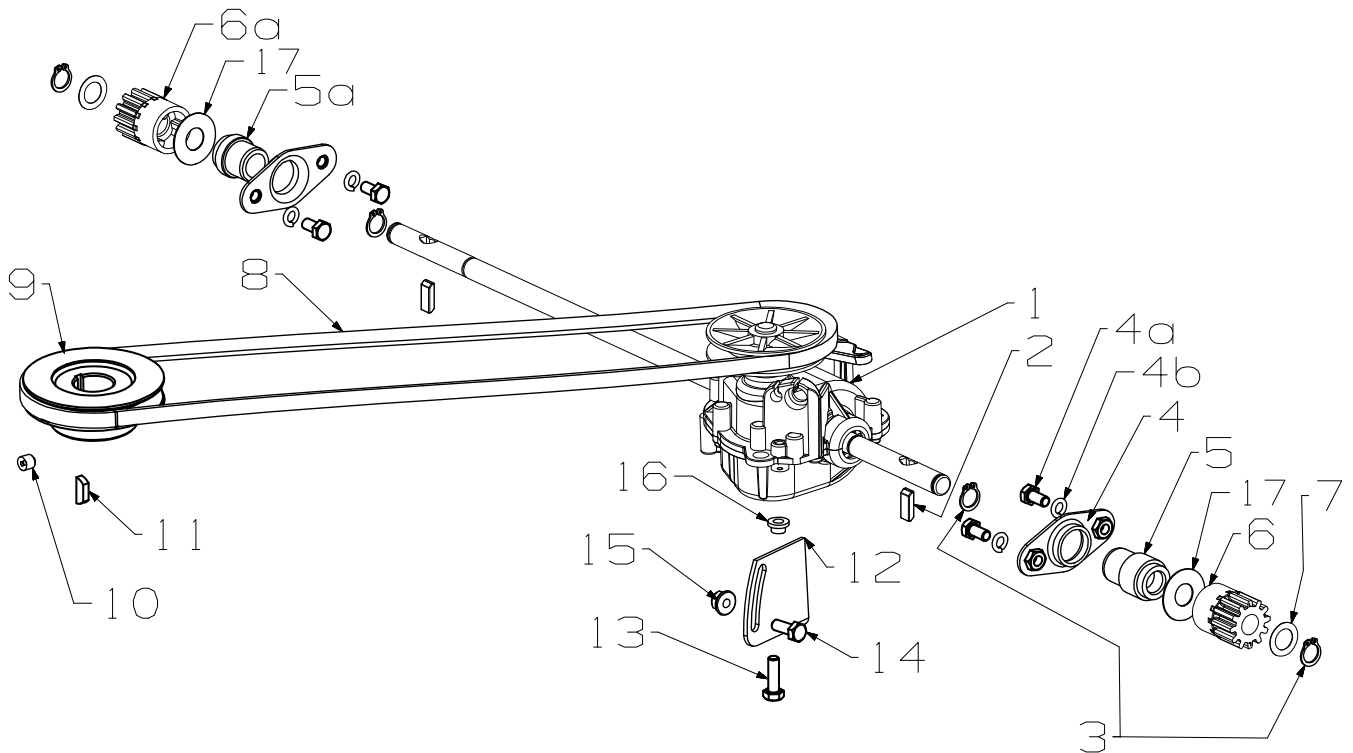
When ordering PLEASE QUOTE PART NUMBER & Description, NOT Illustration No.
Determine right or left hand side from standing in operating position (standing at handle).
Bold Text = Assemblies, Bulleted Text * = Items included in the Assemblies & may not be available as a spares item.



350ST SP 2-in-1
Powered by
B&S Series 500E

Masport

Issue C.0
ECN 03057
Oct 2015 PB
REF # 778967S



Please Note:
RH pinion must be installed on the left side
LH pinion must be installed on the right side.

Item No	Part No	Description	Qty Req'd	Item No	Part No	Description	Qty Req'd
1	567358	Gearbox- Single SP Synchro	1	8	581626	Belt-V HC VEXTRAPZ 787 Gates	1
2	581092	Pawl Pinion, 950SP	2	9	564136	Pulley-ENG, 7/8Bx89Dx28H	1
3	503759	Circlip, 12EXT DIN 471	4	10	503386	Screw, Grub M8 x 8	1
4	567598	Retainer Axle Rear 18" ST SP	2	11	500636	Key-W/Ruff 5/8x5/32x1/4	1
4a	501959	Screw, Set M6x12	4	12	567576	Mount-Gearbox 18" ST SP	1
4b	500201	Washer, SPG 6	4	13	501600	Screw, Set M6x20	1
5	567572	Boss - Bearing 18" ST SP LH	1	14	501702	Screw, Set M6x16	1
5a	567573	Boss - Bearing 18" ST SP RH	1	15	503973	Nut, M6 Hex Nyloc	1
6	569179	Pinion - R/H, 12 Teeth	1	16	564093	Bush-G/Box Mount, ST Synchro	1
6a	569178	Pinion - L/H, 12 Teeth	1	17	564092	Washer, FLT 13x30x0.6	2
7	503102	Washer, FLT 12x20x0.4	2				

When ordering PLEASE QUOTE PART NUMBER & Description, NOT Illustration No.
Determine right or left hand side from standing in operating position (standing at handle).

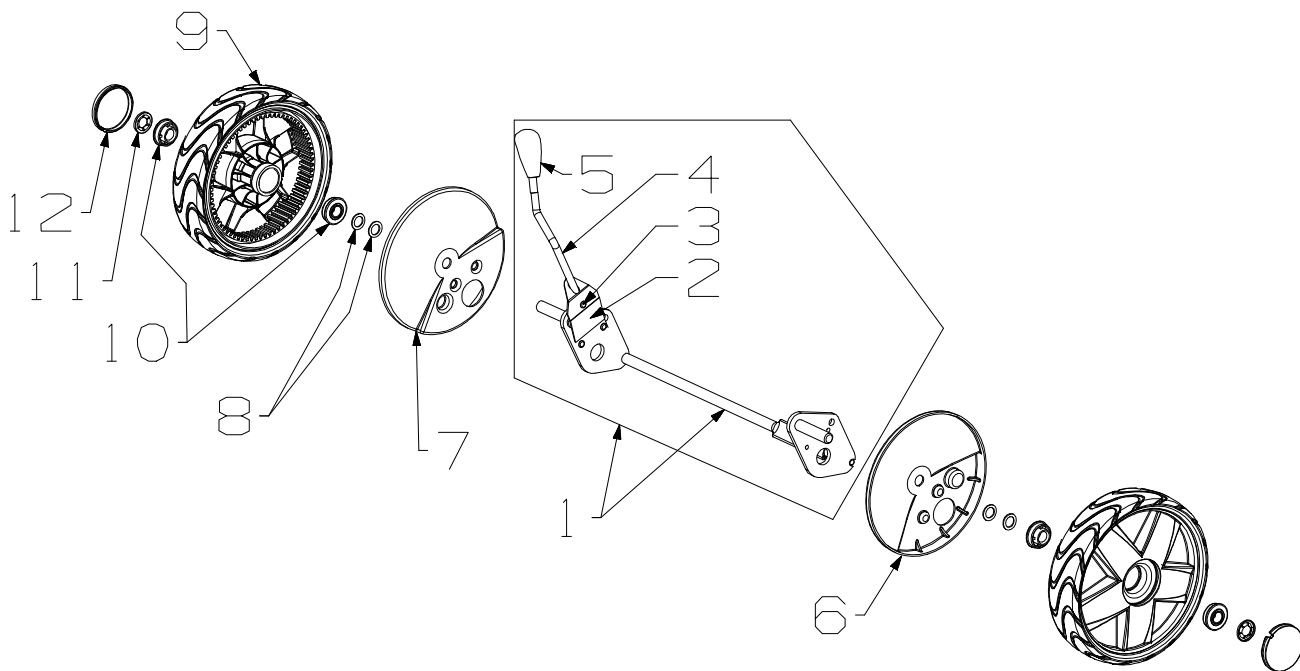
Bold Text = Assemblies, Bulleted Text * = Items included in the Assemblies & may not be available as a spares item.



350ST SP 2-in-1
Powered by
B&S Series 500E

Masport

Issue C.0
ECN 03057
Oct 2015 PB
REF # 778967S



Item No	Part No	Description	Qty Req'd	Not Illustrated	
1	767578	Axle Assy- Rear Drive, 18"SP	1	503054	Tie- Cable, Black 3
2	580649	*Spring Leaf	1	564007	Certificate of Conformity 1
3	503373	*Rivet-F/HD3/16"x27/64"	3	564463	Decal, Housing "MAXI DRIVE" 1
4	973681	*Rod-Height Selector (MSV)	1	569324	Owners Manual 1
5	581729	*Knob- Height Lever (MSV)	1	571100	Decal, "POWER DRIVE" 1
6	567597	Cover Dust RH + LH 250 ST SP	1	573275	Decal, HSG S18 350 1
7	567597	Cover Dust RH + LH 250 ST SP	1	581180	Instruction, Catcher Assy 1
8	503301	Washer; FLT 1/2 x3/4x18G	4	582049	Decal, Flap Caution 1
9	567568	Wheel Assy-200mm SP Silver (Includes 2 x 551212 per wheel)	2	582062	Decal, Height Combo 1
10	551212	Bearing-Wheel, Ball	4		
11	503236	Clip-Starlock, 1/2"	2		
12	579198	Hub Cap-Button Spoked Silver	2		